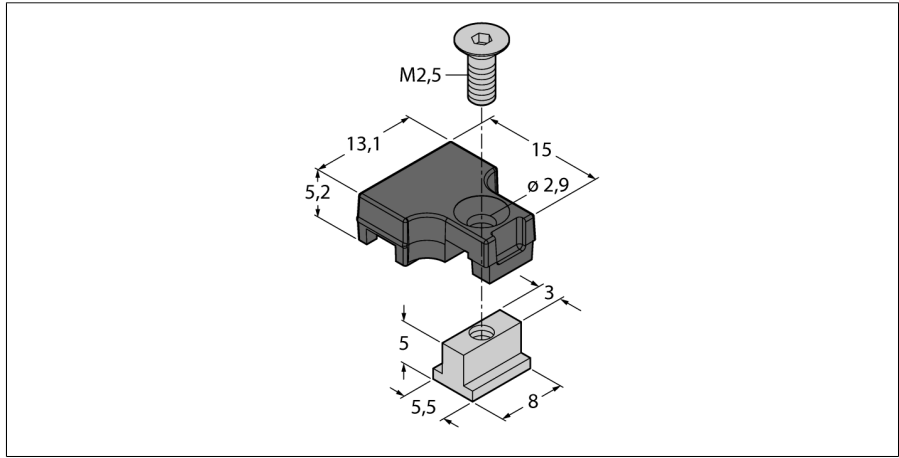


Mounting accessories
KLT-UNT1



General description

The sensor programme comprises inductive, magnetic-inductive, capacitive, photoelectric and ultrasonic sensors as well as pressure and flow controls.

A broad range of practice-oriented accessories ensure optimal adaption to your system.

Type code	KLT-UNT1
Ident no.	6913377
Design	accessories for rectangular types
Tightening torque	0.4 Nm